

SUMNER®

SERIES 2300 DRYWALL / HVAC LIFTS

One Man Operation!



- ✓ Solid, safe construction (CE)
- ✓ Two speed winch handle
- ✓ Quick, tool-free assembly
- ✓ One person operation
- ✓ Tilts 65° for drywall installation
- ✓ Lifts loads of 150 lb (70 kg)
up to 11.5 ft (3.5 m)
~~or 15 ft (4.6 m)~~
- ✓ Lightweight

Check the features...

Self-braking winch with two speed winch handle. No spinning wheels, no free fall, no pinched fingers!



lo speed



hi speed

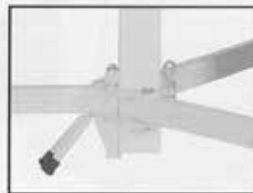


stored position



Fold-up steering lever allows operator to stand back and guide load to exact location.

Back stop brake prevents lift from backing up while unloading drywall panels



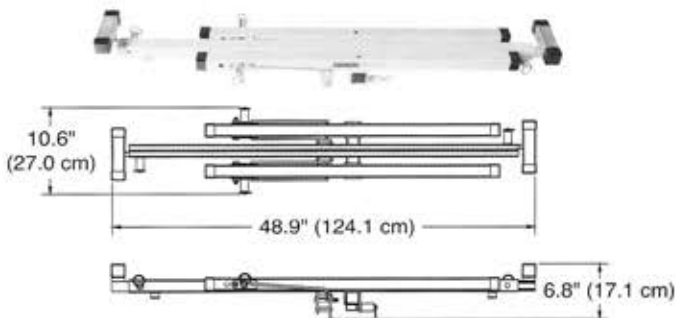
Convenient carrying handle



Series 2300 Specifications

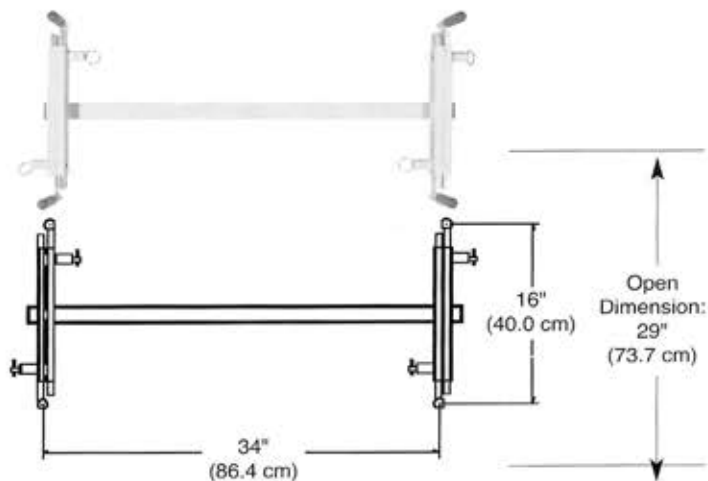
Drywall Cradle Assembly

part no. 784355

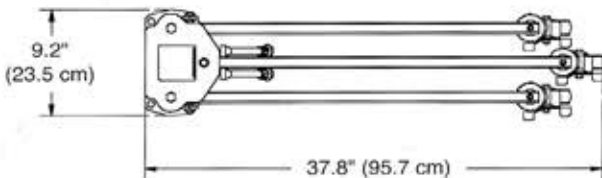


HVAC/Light Cradle (optional)

part no. 784474



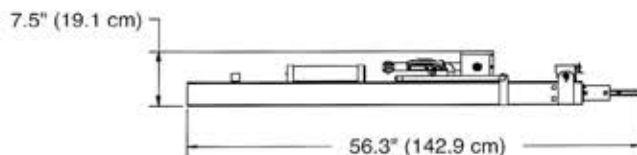
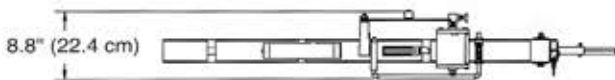
Base Assembly



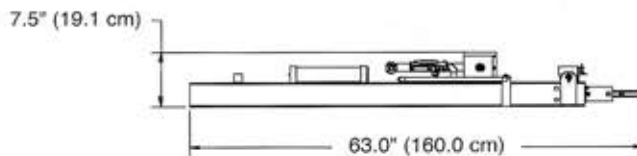
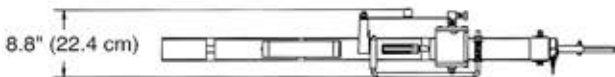
Mast Assembly



2311



2315



Part No.	Description	Load Height (maximum)		Load Height (minimum)		Load Capacity		Max. Drywall Dimensions Feet Meter	Base Height		Base Footprint (open)		Lift Weight		Shipping Weight	
		Feet	Meter	Inches	cm	Lb	Kg		Inches	cm	Inches	Meter	Lb	Kg	Lb	Kg
784345	2311 Drywall Lift	11.5'	3.5	34"	86	150	70	4x12 1.2x3.7	7"	18	55x55x52	1.4x1.4x1.3	99	45	109	49
784346	2315 Drywall Lift	15.0'	4.5	48"	122	150	70	4x12 1.2x3.7	7"	18	55x55x52	1.4x1.4x1.3	99	45	109	49
784340	2311 Standard Model with single cable, mast and base only, no cradle.															
784342	2315 Standard Model with single cable, mast and base only, no cradle.															